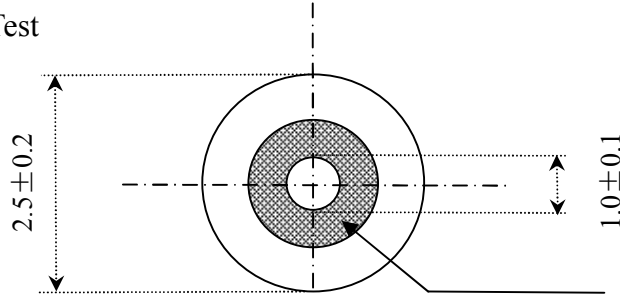
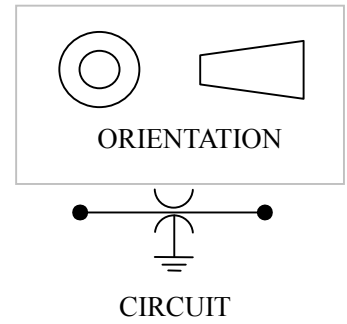


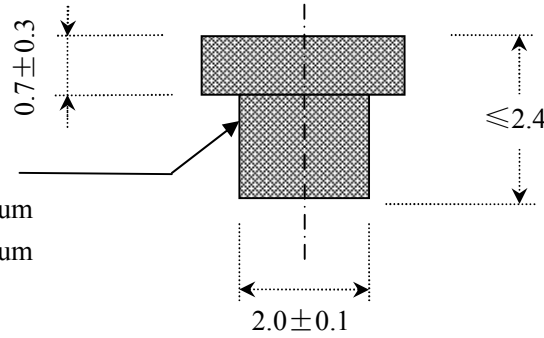
Sales Drawing

Electrical Testing

As Xiangwei standard test plans and Mil-Std-202 Test Method.



Nickel plated inner hole 1.9~3.8um
 Nickel plated inner hole 3.8~7.6um

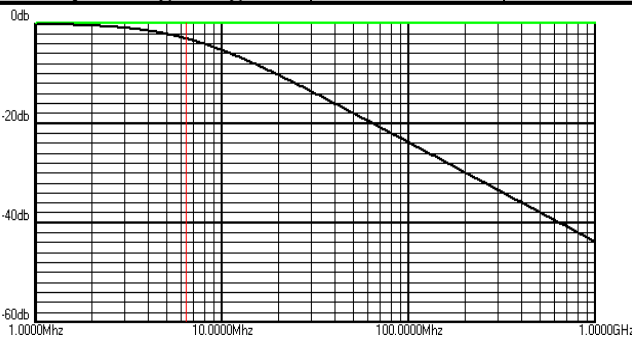


Nickel plated 1.9~3.8um
 Nickel plated 3.8~7.6um

SPECIFICATIONS	
Capacitance	1000pF
Dissipation Factor	< 3.5%
Capacitance Tolerance	-20%+80%
Temp Characteristics	X7R
Rating Voltage	50VDC
DWV	150VDC
Current	
I.R.100vdc	3000MΩ
Operating Range	-55°C+125°C

Notes:

1. Do not use a hard object beat capacitor body.
2. Storage: Usual temperature by sealed.
3. Soldering: Using constant electric iron soldering, and don't use furnace welding and dip soldering methods.
4. ROHS Part (Lead free).



-Tolerances-

Soldering Temp: ≤ 300°C

Soldering Time: 3sec

LCA®

**LCA
 Micronics**

Unit: (mm)

G2520-001